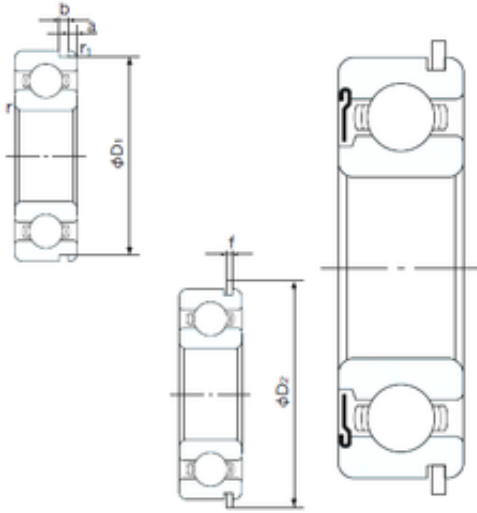




SKF BEARING MANUFACTURING CO.,LTD.



80 mm x 140 mm x 26 mm NACHI 6216ZNR
deep groove ball bearings

Bearing No. 6216ZNR

6216ZNR Bearing 2D drawings and 3D CAD models

Size	80x140x26 mm
Bore Diameter	80 mm
Outer Diameter	140 mm
Width	26 mm
d	80 mm
D	140 mm
B	26 mm
C	26 mm
a	4.9 mm
b	3.1 mm
f	2.82 mm
r min.	2 mm
r1 min.	0.5 mm
D1	135.23 mm
D2	149.7 mm
Weight	1.40 Kg
Basic dynamic load rating (C)	72,5 kN
Basic static load rating (C0)	53 kN
(Grease) Lubrication Speed	4500 r/min
Category	Single Row Ball Bearings
Inventory	0.0
Manufacturer Name	NACHI
Minimum Buy Quantity	N/A
Weight / Kilogram	0
Product Group	B00308



SKF BEARING MANUFACTURING CO.,LTD.

Enclosure	1 Metal Shield
Precision Class	ABEC 1 ISO P0
Maximum Capacity / Filling Slot	No
Rolling Element	Ball Bearing
Snap Ring	Yes
Internal Special Features	No
Cage Material	Steel
Internal Clearance	C0-Medium
Inch - Metric	Metric
Long Description	80MM Bore; 140MM Outside Diameter; 26MM Outer Race Width; 1 Metal Shield; Ball Bearing; ABEC 1 ISO P0; No Filling Slot; Yes Snap Ring; No Internal Special Features; C0-Medium Internal Clearance; Ste
Other Features	Deep Groove With Snap Ring
Category	Single Row Ball Bearing
UNSPSC	31171504
Harmonized Tariff Code	8482.10.50.68
Noun	Bearing
Keyword String	Ball
Manufacturer URL	http://www.nachi-america.com
Outer Race Width	1.024 Inch 26 Millimeter
Bore	3.15 Inch 80 Millimeter
Outside Diameter	5.512 Inch 140 Millimeter
Inner Race Width	0 Inch 0 Millimeter
Bore Type	Cylindrical Bore
Configuration	Single Row
Bore Size	80 mm
Width	26 mm



SKF BEARING MANUFACTURING CO.,LTD.

Fillet Radius/Chamfer	2 mm
r1	0.5 mm
Snap Ring Width	2.8 mm
Snap Ring Outside Diameter	149.7 mm
D1 (max)	135.2 mm
a (max)	4.9 mm
b (min)	3.1 mm
Dynamic Load Rating	72,500 N
Static Load Rating	53,000 N
Limiting Speed - Grease	4,500 rpm
Limiting Speed - Oil	5,300 rpm
Factor fo	14.6
Radial Clearance	0.010 to 0.030 mm
da (min)	90 mm
Da (max)	130 mm
Dx (min)	152 mm
ra (max)	2 mm
Cy (max)	7.3 mm