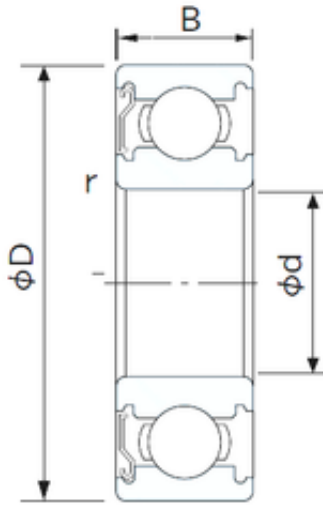




# SKF BEARING MANUFACTURING CO.,LTD.



80 mm x 140 mm x 26 mm CYSD 6216-Z deep groove ball bearings

Bearing No. 6216-Z

Size	80x140x26 mm
Bore Diameter	80 mm
Outer Diameter	140 mm
Width	26 mm
d	80 mm
D	140 mm
B	26 mm
C	26 mm
r min.	2 mm
Weight	1,42 Kg
Basic dynamic load rating (C)	72,5 kN
Basic static load rating (C0)	53 kN
(Grease) Lubrication Speed	4500 r/min

6216-Z Bearing 2D drawings and 3D CAD models