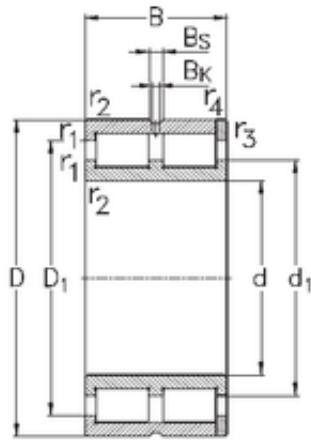




# SKF BEARING MANUFACTURING CO.,LTD.



80 mm x 110 mm x 30 mm NKE NNC4916-V  
cylindrical roller bearings

Bearing No. NNC4916-V

Size	80x110x30 mm
Bore Diameter	80 mm
Outer Diameter	110 mm
Width	30 mm
d	80 mm
D	110 mm
B	30 mm
C	30 mm
d1	90,5 mm
r1 min.	1 mm
r2 min.	1 mm
r3 min.	1 mm
r4 min.	1 mm
D1	98 mm
Weight	0,87 Kg
Basic dynamic load rating (C)	112 kN
Basic static load rating (C0)	217 kN

NNC4916-V Bearing 2D drawings and 3D CAD models