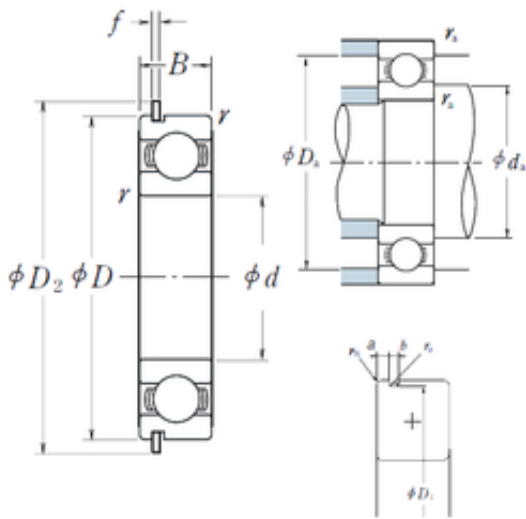




# SKF BEARING MANUFACTURING CO.,LTD.



## 50 mm x 110 mm x 27 mm NSK 6310NR deep groove ball bearings

Bearing No. 6310NR

6310NR Bearing 2D drawings and 3D CAD models

Size	50x110x27 mm
Bore Diameter	50 mm
Outer Diameter	110 mm
Width	27 mm
d	50 mm
D	110 mm
B	27 mm
C	27 mm
rn	0,5 mm
a	3,28 mm
b	2,7 mm
f	2,46 mm
r min.	2 mm
r0 max.	0,6 mm
D1	106,81 mm
D2	116,6 mm
da min.	59 mm
da max	68 mm
Da max.	101 mm
ra max.	2 mm
Weight	1,06 Kg
Basic dynamic load rating (C)	62 kN
Basic static load rating (C0)	38,5 kN
(Grease) Lubrication Speed	6 000 r/min
(Oil) Lubrication Speed	7 500 r/min



## SKF BEARING MANUFACTURING CO.,LTD.

Category	Single Row Ball Bearings
Inventory	0.0
Manufacturer Name	NSK
Minimum Buy Quantity	N/A
Weight / Kilogram	1.08
EAN	0029176035104
Product Group	B00308
Enclosure	Open
Precision Class	ABEC 1   ISO P0
Maximum Capacity / Filling Slot	No
Rolling Element	Ball Bearing
Snap Ring	Yes
Internal Special Features	No
Cage Material	Steel
Internal Clearance	C0-Medium
Inch - Metric	Metric
Long Description	50MM Bore; 110MM Outside Diameter; 27MM Outer Race Diameter; Open; Ball Bearing; ABEC 1   ISO P0; No Filling Slot; Yes Snap Ring; No Internal Special Features
Category	Single Row Ball Bearing
UNSPSC	31171504
Harmonized Tariff Code	8482.10.50.68
Noun	Bearing
Keyword String	Ball
Manufacturer URL	<a href="http://www.nskamericas.com">http://www.nskamericas.com</a>
Manufacturer Item Number	6310NR
Weight / LBS	1.06
Outside Diameter	4.331 Inch   110 Millimeter
Bore	1.969 Inch   50 Millimeter



## SKF BEARING MANUFACTURING CO.,LTD.

Outer Race Width	1.063 Inch   27 Millimeter
bore diameter:	50 mm
dynamic load capacity:	14600 lbs
outside diameter:	110 mm
static load capacity:	8600 lbs
overall width:	27 mm
bearing material:	Steel
bore type:	Round
maximum rpm (grease):	7100 rpm
closure type:	Open
maximum rpm (oil):	8500 rpm
row type & fill slot:	Single Row Non-Fill Slot
manufacturer catalog:	<a href="#">Click here</a>
snap ring included:	With Snap Ring
manufacturer upc number:	029176035104
internal clearance:	C0
SRI	9.86
hidYobi	6310NR
LangID	1
ro	0.6
D_	110
SREX	0.04
B_	27
da min	59
hidTable	ecat_NSRDGB
Oil rpm	7500
SRE	9.86
Cy	5.4
mass	1.06
GRS rpm	6000
ra	2
SRIX	0.04



## SKF BEARING MANUFACTURING CO.,LTD.

D_a	101
SRIN	-0.04
C0	38.5
fo	13.2
SREN	-0.04
DE_	101.05
Prod_Type3	DGBB_SR_NR_OT
DA_	19.05
bomp	0
Z_	8
yobi	6310NR
Dx	118
C_conv	62000
ALPHA_	0
SDM_	82
r	2
KBRG	6101
SBRG	3
DI_	62.95