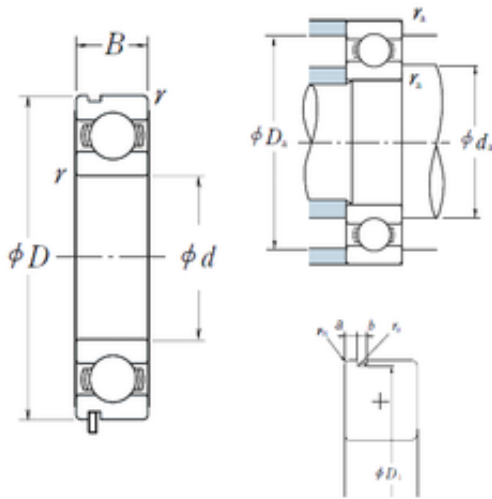




SKF BEARING MANUFACTURING CO.,LTD.



50 mm x 110 mm x 27 mm NSK 6310N deep groove ball bearings

Bearing No. 6310N

6310N Bearing 2D drawings and 3D CAD models

| | |
|-------------------------------|--------------------------|
| Size | 50x110x27 mm |
| Bore Diameter | 50 mm |
| Outer Diameter | 110 mm |
| Width | 27 mm |
| d | 50 mm |
| D | 110 mm |
| B | 27 mm |
| C | 27 mm |
| rn | 0,5 mm |
| a | 3,28 mm |
| b | 2,7 mm |
| r min. | 2 mm |
| r0 max. | 0,6 mm |
| D1 | 106,81 mm |
| da min. | 59 mm |
| da max | 68 mm |
| Da max. | 101 mm |
| ra max. | 2 mm |
| Weight | 1,06 Kg |
| Basic dynamic load rating (C) | 62 kN |
| Basic static load rating (C0) | 38,5 kN |
| (Grease) Lubrication Speed | 6 000 r/min |
| (Oil) Lubrication Speed | 7 500 r/min |
| Category | Single Row Ball Bearings |
| Inventory | 0.0 |



SKF BEARING MANUFACTURING CO.,LTD.

| | |
|---------------------------------|---|
| Manufacturer Name | NSK |
| Minimum Buy Quantity | N/A |
| Weight / Kilogram | 1.06 |
| Product Group | B00308 |
| Enclosure | Open |
| Precision Class | ABEC 1 ISO P0 |
| Maximum Capacity / Filling Slot | No |
| Rolling Element | Ball Bearing |
| Snap Ring | Yes |
| Internal Special Features | No |
| Cage Material | Steel |
| Internal Clearance | C0-Medium |
| Inch - Metric | Metric |
| Long Description | 50MM Bore; 110MM Outside Diameter; 27MM Outer Race Width; Open; Ball Bearing; ABEC 1 ISO P0; No Filling Slot; Yes Snap Ring; No Internal Special Features; C0-Medium Internal Clearance; Steel Cage |
| Other Features | Deep Groove With Snap Ring Groove |
| Category | Single Row Ball Bearing |
| UNSPSC | 31171504 |
| Harmonized Tariff Code | 8482.10.50.68 |
| Noun | Bearing |
| Keyword String | Ball |
| Manufacturer URL | http://www.nskamericas.com |
| Weight / LBS | 2.3373 |
| Inner Race Width | 0 Inch 0 Millimeter |
| Outside Diameter | 4.331 Inch 110 Millimeter |
| Outer Race Width | 1.063 Inch 27 Millimeter |



SKF BEARING MANUFACTURING CO.,LTD.

| | |
|------------|----------------------------|
| Bore | 1.969 Inch 50 Millimeter |
| SRI | 9.86 |
| hidYobi | 6310N |
| LangID | 1 |
| ro | 0.6 |
| D_ | 110 |
| SREX | 0.04 |
| B_ | 27 |
| da min | 59 |
| hidTable | ecat_NS RDGB |
| Oil rpm | 7500 |
| SRE | 9.86 |
| mass | 1.06 |
| GRS rpm | 6000 |
| ra | 2 |
| SRIX | 0.04 |
| D_a | 101 |
| SRIN | -0.04 |
| C0 | 38.5 |
| fo | 13.2 |
| SREN | -0.04 |
| DE_ | 101.05 |
| Prod_Type3 | DGBB_SR_N_OT |
| DA_ | 19.05 |
| bomp | 0 |
| Z_ | 8 |
| yobi | 6310N |
| C_conv | 62000 |
| ALPHA_ | 0 |
| SDM_ | 82 |
| r | 2 |
| KBRG | 6101 |
| | |



SKF BEARING MANUFACTURING CO.,LTD.

| | |
|------|-------|
| SBRG | 3 |
| DI_ | 62.95 |