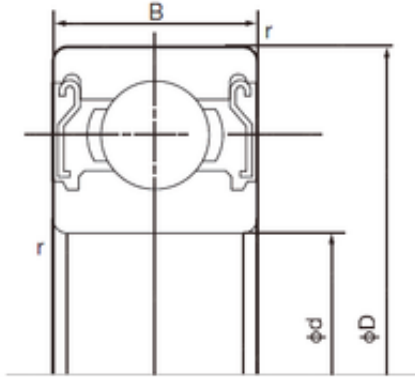




# SKF BEARING MANUFACTURING CO.,LTD.

45 mm x 58 mm x 7 mm NACHI 6809ZZE deep groove ball bearings



6809ZZE Bearing 2D drawings and 3D CAD models

Bearing No. 6809ZZE

Size	45x58x7 mm
Bore Diameter	45 mm
Outer Diameter	58 mm
Width	7 mm
d	45 mm
D	58 mm
B	7 mm
C	7 mm
r min.	0.3 mm
da min.	47 mm
Da max.	56 mm
ra max.	0.3 mm
Weight	0.040 Kg
Basic dynamic load rating (C)	5,35 kN
Basic static load rating (C0)	4,9 kN
Category	Single Row Ball Bearings
Inventory	0.0
Manufacturer Name	NACHI
Minimum Buy Quantity	N/A
Weight / Kilogram	0.041
EAN	4991893857948
Product Group	B00308
Enclosure	2 Metal Shields
Precision Class	ABEC 1   ISO P0
Maximum Capacity / Filling	No



## SKF BEARING MANUFACTURING CO.,LTD.

Slot	
Rolling Element	Ball Bearing
Snap Ring	No
Internal Special Features	No
Cage Material	Steel
Internal Clearance	C0-Medium
Inch - Metric	Metric
Long Description	45MM Bore; 58MM Outside Diameter; 7MM Outer Race Width; 2 Metal Shields; Ball Bearing; ABEC 1   ISO P0; No Filling Slot; No Snap Ring; No Internal Special Features; C0-Medium Internal Clearance; Steel
Other Features	Deep Groove
Category	Single Row Ball Bearing
UNSPSC	31171504
Harmonized Tariff Code	8482.10.50.68
Noun	Bearing
Keyword String	Ball
Manufacturer URL	<a href="http://www.nachi-america.com">http://www.nachi-america.com</a>
Weight / LBS	0.09
Outer Race Width	0.276 Inch   7 Millimeter
Inner Race Width	0 Inch   0 Millimeter
Bore	1.772 Inch   45 Millimeter
Outside Diameter	2.283 Inch   58 Millimeter
Bore Type	Cylindrical Bore
Configuration	Single Row
Bore Size	45 mm
Width	7 mm
Fillet Radius/Chamfer	0.3 mm
Dynamic Load Rating	5,350 N



## SKF BEARING MANUFACTURING CO.,LTD.

Static Load Rating	4,900 N
Limiting Speed - Grease	11,000 rpm
Factor $f_0$	16.1
Radial Clearance	0.006 to 0.023 mm
$d_a$ (min)	47 mm
$D_a$ (max)	56 mm
$r_a$ (max)	0.3 mm