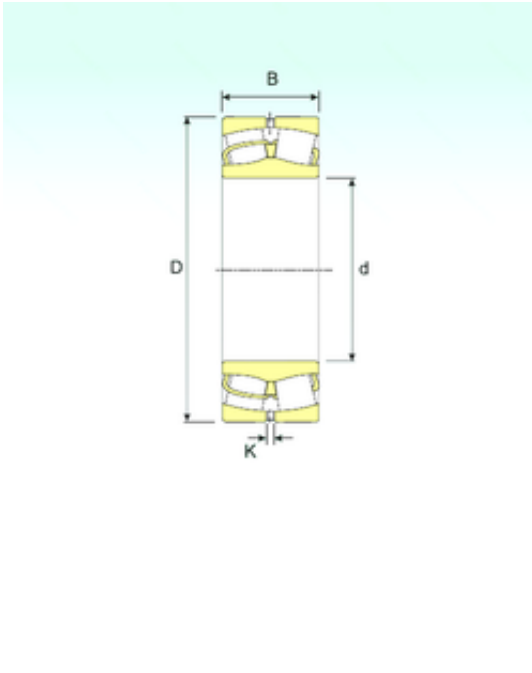




# SKF BEARING MANUFACTURING CO.,LTD.



22238 Bearing 2D drawings and 3D CAD models

190 mm x 340 mm x 92 mm ISB 22238 spherical roller bearings

Bearing No. 22238

Size	190x340x92 mm
Bore Diameter	190 mm
Outer Diameter	340 mm
Width	92 mm
d	190 mm
D	340 mm
B	92 mm
C	92 mm
K	9 mm
Weight	36,5 Kg
Basic dynamic load rating (C)	1245 kN
Basic static load rating (C0)	1666 kN
(Grease) Lubrication Speed	1836 r/min