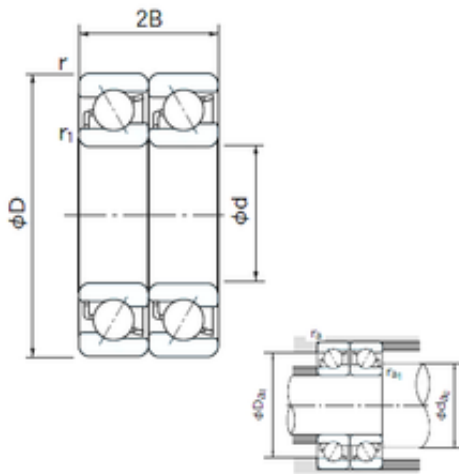




# SKF BEARING MANUFACTURING CO.,LTD.



170 mm x 310 mm x 52 mm NACHI 7234CDT  
angular contact ball bearings

Bearing No. 7234CDT

7234CDT Bearing 2D drawings and 3D CAD models

Size	170x310x52 mm
Bore Diameter	170 mm
Outer Diameter	310 mm
Width	52 mm
d	170 mm
D	310 mm
B	52 mm
C	52 mm
Angle ( ° )	15 °
a	2.2 mm
r min.	4 mm
r1 min.	1.5 mm
2B	104 mm
da min.	179 mm
Da max.	301 mm
ra max.	1.5 mm
Weight	17.4 Kg
Basic dynamic load rating (C)	485 kN
Basic static load rating (C0)	725 kN
(Grease) Lubrication Speed	2600 r/min
Bore Type	Cylindrical Bore
Enclosure	Open
Configuration	Duplex
Bore Size	170 mm
Outside Diameter	310 mm



## SKF BEARING MANUFACTURING CO.,LTD.

Width	52 mm
Fillet Radius/Chamfer	4 mm
r1	1.5 mm
Dynamic Load Rating	485,000 N
Static Load Rating	725,000 N
Limiting Speed - Grease	2,600 rpm
Limiting Speed - Oil	3,700 rpm
da1 (min)	188 mm
da2 (min)	179 mm
Da1 (max)	292 mm
Da2 (max)	301 mm
ra (max)	3 mm
ra1 (max)	1.5 mm