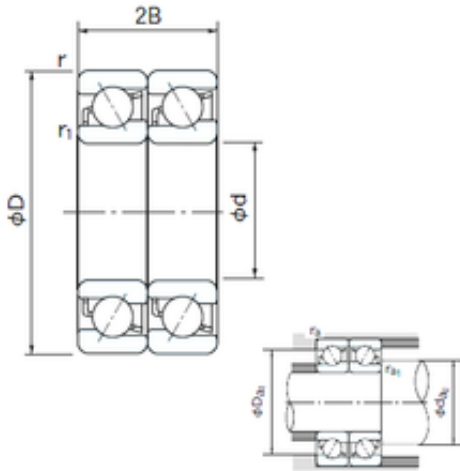




SKF BEARING MANUFACTURING CO.,LTD.



15 mm x 42 mm x 13 mm NACHI 7302DT angular contact ball bearings

Bearing No. 7302DT

7302DT Bearing 2D drawings and 3D CAD models

Size	15x42x13 mm
Bore Diameter	15 mm
Outer Diameter	42 mm
Width	13 mm
d	15 mm
D	42 mm
B	13 mm
C	13 mm
Angle (°)	30 °
a	1.7 mm
r min.	1 mm
r1 min.	0.6 mm
2B	26 mm
da min.	18 mm
Da max.	38.4 mm
ra max.	0.6 mm
Weight	0.085 Kg
Basic dynamic load rating (C)	22 kN
Basic static load rating (C0)	14,2 kN
(Grease) Lubrication Speed	13000 r/min
Bore Type	Cylindrical Bore
Enclosure	Open
Configuration	Duplex
Bore Size	15 mm
Outside Diameter	42 mm



SKF BEARING MANUFACTURING CO.,LTD.

Width	13 mm
Fillet Radius/Chamfer	1 mm
r1	0.6 mm
Dynamic Load Rating	22,000 N
Static Load Rating	14,200 N
Limiting Speed - Grease	13,000 rpm
Limiting Speed - Oil	17,000 rpm
da1 (min)	21 mm
da2 (min)	18 mm
Da1 (max)	36 mm
Da2 (max)	38.4 mm
ra (max)	1 mm
ra1 (max)	0.6 mm