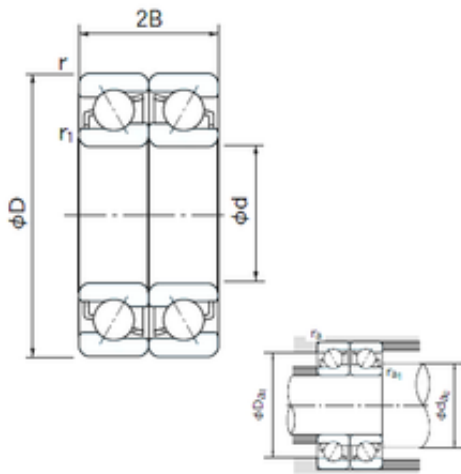




SKF BEARING MANUFACTURING CO.,LTD.



7302CDF Bearing 2D drawings and 3D CAD models

15 mm x 42 mm x 13 mm NACHI 7302CDF
angular contact ball bearings

Bearing No. 7302CDF

Size	15x42x13 mm
Bore Diameter	15 mm
Outer Diameter	42 mm
Width	13 mm
d	15 mm
D	42 mm
B	13 mm
C	13 mm
Angle (°)	15 °
a -	3.1 mm
r min.	1 mm
r1 min.	0.6 mm
2B	26 mm
da min.	21 mm
Da max.	38.4 mm
ra max.	0.6 mm
Weight	0.085 Kg
Basic dynamic load rating (C)	21,7 kN
Basic static load rating (C0)	13,7 kN
(Grease) Lubrication Speed	22000 r/min
Bore Type	Cylindrical Bore
Enclosure	Open
Configuration	Duplex
Bore Size	15 mm
Outside Diameter	42 mm



SKF BEARING MANUFACTURING CO.,LTD.

Width	13 mm
Fillet Radius/Chamfer	1 mm
r1	0.6 mm
Dynamic Load Rating	21,700 N
Static Load Rating	13,700 N
Limiting Speed - Grease	22,000 rpm
Limiting Speed - Oil	31,000 rpm
da1 (min)	21 mm
da2 (min)	21 mm
Da1 (max)	36 mm
Da2 (max)	38.4 mm
ra (max)	1 mm
ra1 (max)	0.6 mm