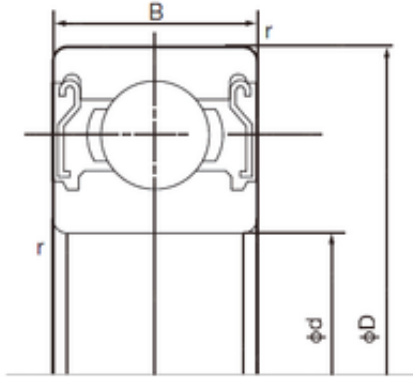




SKF BEARING MANUFACTURING CO.,LTD.

15 mm x 42 mm x 13 mm NACHI 6302ZZE deep groove ball bearings



Bearing No. 6302ZZE

6302ZZE Bearing 2D drawings and 3D CAD models

Size	15x42x13 mm
Bore Diameter	15 mm
Outer Diameter	42 mm
Width	13 mm
d	15 mm
D	42 mm
B	13 mm
C	13 mm
r min.	1.0 mm
da min.	21 mm
Da max.	36 mm
ra max.	1.0 mm
Weight	0.082 Kg
Basic dynamic load rating (C)	11,4 kN
Basic static load rating (C0)	5,4 kN
(Grease) Lubrication Speed	17000 r/min
Category	Single Row Ball Bearings
Inventory	0.0
Manufacturer Name	NACHI
Minimum Buy Quantity	N/A
Weight / Kilogram	0
Product Group	B00308
Enclosure	2 Metal Shields
Precision Class	ABEC 1 ISO P0
Maximum Capacity / Filling	No



SKF BEARING MANUFACTURING CO.,LTD.

Slot	
Rolling Element	Ball Bearing
Snap Ring	No
Internal Special Features	No
Cage Material	Steel
Internal Clearance	C0-Medium
Inch - Metric	Metric
Long Description	15MM Bore; 42MM Outside Diameter; 13MM Outer Race Width; 2 Metal Shields; Ball Bearing; ABEC 1 ISO P0; No Filling Slot; No Snap Ring; No Internal Special Features; C0-Medium Internal Clearance; Stee
Other Features	Deep Groove
Category	Single Row Ball Bearing
UNSPSC	31171504
Harmonized Tariff Code	8482.10.50.68
Noun	Bearing
Keyword String	Ball
Manufacturer URL	http://www.nachi-america.com
Outside Diameter	1.654 Inch 42 Millimeter
Outer Race Width	0.512 Inch 13 Millimeter
Bore	0.591 Inch 15 Millimeter
Inner Race Width	0 Inch 0 Millimeter
Bore Type	Cylindrical Bore
Configuration	Single Row
Bore Size	15 mm
Width	13 mm
Fillet Radius/Chamfer	1 mm
Dynamic Load Rating	11,400 N
Static Load Rating	5,400 N



SKF BEARING MANUFACTURING CO.,LTD.

Limiting Speed - Grease	17,000 rpm
Factor f_0	12.3
Radial Clearance	0.003 to 0.018 mm
d_a (min)	21 mm
D_a (max)	36 mm
r_a (max)	1 mm