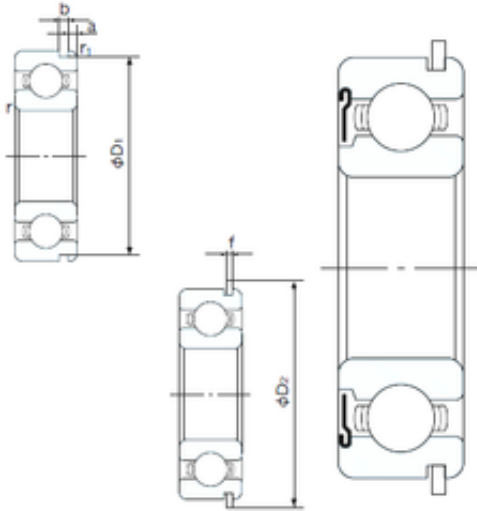




SKF BEARING MANUFACTURING CO.,LTD.



120 mm x 180 mm x 28 mm NACHI 6024ZNR
deep groove ball bearings

Bearing No. 6024ZNR

6024ZNR Bearing 2D drawings and 3D CAD models

Size	120x180x28 mm
Bore Diameter	120 mm
Outer Diameter	180 mm
Width	28 mm
d	120 mm
D	180 mm
B	28 mm
C	28 mm
a	3.71 mm
b	3.5 mm
f	3.1 mm
r min.	2 mm
r1 min.	0.5 mm
D1	173.66 mm
D2	192.9 mm
Weight	2.36 Kg
Basic dynamic load rating (C)	88 kN
Basic static load rating (C0)	79,5 kN
(Grease) Lubrication Speed	3500 r/min
Enclosure	Single Shield with Snap Ring
Bore Type	Cylindrical Bore
Configuration	Single Row
Bore Size	120 mm
Outside Diameter	180 mm
Width	28 mm



SKF BEARING MANUFACTURING CO.,LTD.

Fillet Radius/Chamfer	2 mm
r1	0.5 mm
Snap Ring Width	3.1 mm
Snap Ring Outside Diameter	192.9 mm
D1 (max)	173.7 mm
a (max)	3.7 mm
b (min)	3.5 mm
Dynamic Load Rating	88,000 N
Static Load Rating	79,500 N
Limiting Speed - Grease	3,600 rpm
Limiting Speed - Oil	4,300 rpm
Factor fo	15.7
Radial Clearance	0.015 to 0.041 mm
da (min)	128 mm
Da (max)	172 mm
Dx (min)	195 mm
ra (max)	2 mm
Cy (max)	6.4 mm