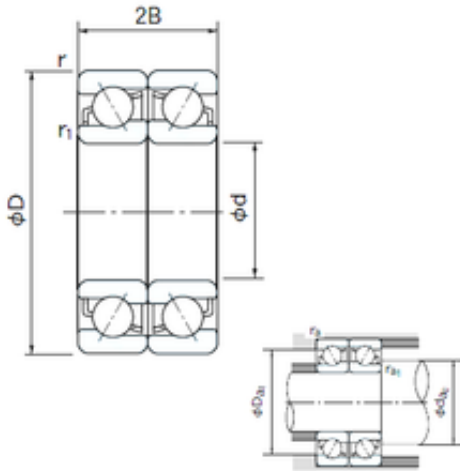




# SKF BEARING MANUFACTURING CO.,LTD.



120 mm x 180 mm x 28 mm NACHI 7024DF  
angular contact ball bearings

Bearing No. 7024DF

7024DF Bearing 2D drawings and 3D CAD models

Size	120x180x28 mm
Bore Diameter	120 mm
Outer Diameter	180 mm
Width	28 mm
d	120 mm
D	180 mm
B	28 mm
C	28 mm
Angle ( ° )	30 °
a	29.3 mm
r min.	2 mm
r1 min.	1 mm
2B	56 mm
da min.	128 mm
Da max.	175 mm
ra max.	1 mm
Weight	2.27 Kg
Basic dynamic load rating (C)	157 kN
Basic static load rating (C0)	206 kN
(Grease) Lubrication Speed	2300 r/min
Bore Type	Cylindrical Bore
Enclosure	Open
Configuration	Duplex
Bore Size	120 mm
Outside Diameter	180 mm



## SKF BEARING MANUFACTURING CO.,LTD.

Width	28 mm
Fillet Radius/Chamfer	2 mm
r1	1 mm
Dynamic Load Rating	157,000 N
Static Load Rating	206,000 N
Limiting Speed - Grease	2,300 rpm
Limiting Speed - Oil	3,000 rpm
da1 (min)	128 mm
da2 (min)	128 mm
Da1 (max)	172 mm
Da2 (max)	175 mm
ra (max)	2 mm
ra1 (max)	1 mm