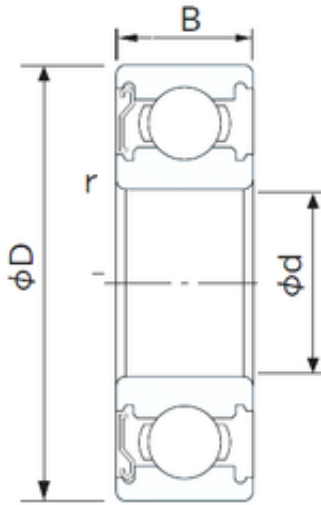




# SKF BEARING MANUFACTURING CO.,LTD.



120 mm x 180 mm x 28 mm NACHI 6024Z  
deep groove ball bearings

Bearing No. 6024Z

6024Z Bearing 2D drawings and 3D CAD models

Size	120x180x28 mm
Bore Diameter	120 mm
Outer Diameter	180 mm
Width	28 mm
d	120 mm
D	180 mm
B	28 mm
C	28 mm
r min.	2 mm
da min.	128 mm
Da max.	172 mm
ra max.	2.0 mm
Weight	2.67 Kg
Basic dynamic load rating (C)	88 kN
Basic static load rating (C0)	79,5 kN
(Grease) Lubrication Speed	3500 r/min
Category	Single Row Ball Bearings
Inventory	0.0
Manufacturer Name	NACHI
Minimum Buy Quantity	N/A
Weight / Kilogram	0
Product Group	B00308
Enclosure	1 Metal Shield
Precision Class	ABEC 1   ISO P0
Maximum Capacity / Filling	No



## SKF BEARING MANUFACTURING CO.,LTD.

Slot	
Rolling Element	Ball Bearing
Snap Ring	No
Internal Special Features	No
Cage Material	Steel
Internal Clearance	C0-Medium
Inch - Metric	Metric
Long Description	120MM Bore; 180MM Outside Diameter; 28MM Outer Race Width; 1 Metal Shield; Ball Bearing; ABEC 1   ISO P0; No Filling Slot; No Snap Ring; No Internal Special Features; C0-Medium Internal Clearance; Ste
Other Features	Deep Groove
Category	Single Row Ball Bearing
UNSPSC	31171504
Harmonized Tariff Code	8482.10.50.68
Noun	Bearing
Keyword String	Ball
Manufacturer URL	<a href="http://www.nachi-america.com">http://www.nachi-america.com</a>
Bore	4.724 Inch   120 Millimeter
Inner Race Width	0 Inch   0 Millimeter
Outer Race Width	1.102 Inch   28 Millimeter
Outside Diameter	7.087 Inch   180 Millimeter