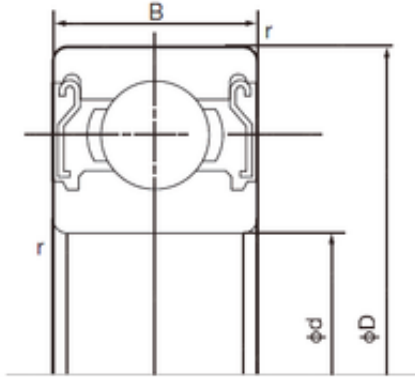




SKF BEARING MANUFACTURING CO.,LTD.

120 mm x 180 mm x 28 mm NACHI 6024ZZ deep groove ball bearings



Bearing No. 6024ZZ

6024ZZ Bearing 2D drawings and 3D CAD models

Size	120x180x28 mm
Bore Diameter	120 mm
Outer Diameter	180 mm
Width	28 mm
d	120 mm
D	180 mm
B	28 mm
C	28 mm
r min.	2 mm
da min.	128 mm
Da max.	172 mm
ra max.	2.0 mm
Weight	2.67 Kg
Basic dynamic load rating (C)	88 kN
Basic static load rating (C0)	79,5 kN
Category	Single Row Ball Bearings
Inventory	0.0
Manufacturer Name	NACHI
Minimum Buy Quantity	N/A
Weight / Kilogram	0
EAN	4991893660913
Product Group	B00308
Enclosure	2 Metal Shields
Precision Class	ABEC 1 ISO P0
Maximum Capacity / Filling	No



SKF BEARING MANUFACTURING CO.,LTD.

Slot	
Rolling Element	Ball Bearing
Snap Ring	No
Internal Special Features	No
Cage Material	Steel
Internal Clearance	C0-Medium
Inch - Metric	Metric
Long Description	120MM Bore; 180MM Outside Diameter; 28MM Outer Race Width; 2 Metal Shields; Ball Bearing; ABEC 1 ISO P0; No Filling Slot; No Snap Ring; No Internal Special Features; C0-Medium Internal Clearance; St
Other Features	Deep Groove
Category	Single Row Ball Bearing
UNSPSC	31171504
Harmonized Tariff Code	8482.10.50.68
Noun	Bearing
Keyword String	Ball
Manufacturer URL	http://www.nachi-america.com
Bore	4.724 Inch 120 Millimeter
Outside Diameter	7.087 Inch 180 Millimeter
Inner Race Width	0 Inch 0 Millimeter
Outer Race Width	1.102 Inch 28 Millimeter
Bore Type	Cylindrical Bore
Configuration	Single Row
Bore Size	120 mm
Width	28 mm
Fillet Radius/Chamfer	2 mm
Dynamic Load Rating	88,000 N
Static Load Rating	79,500 N



SKF BEARING MANUFACTURING CO.,LTD.

Limiting Speed - Grease	3,600 rpm
Factor f_0	15.7
Radial Clearance	0.015 to 0.041 mm
d_a (min)	128 mm
D_a (max)	172 mm
r_a (max)	2 mm